

LBASS15-15

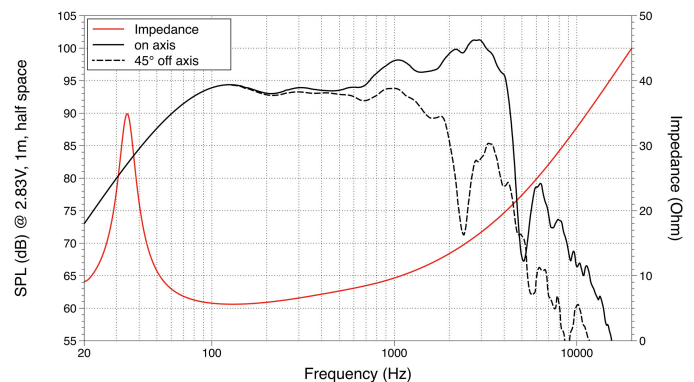
Lavoce

15" BASS GUITAR

FERRITE MAGNET
STEEL BASKET DRIVER

100 W AES 1.5Ω VC 96 dB 35-4000 Hz

Perfect for a bass practice amp, LBASS15-15 uses a triple roll surround and an optimized compact ferrite motor structure to deliver good efficiency and a wide frequency response.



GENERAL SPECIFICATIONS

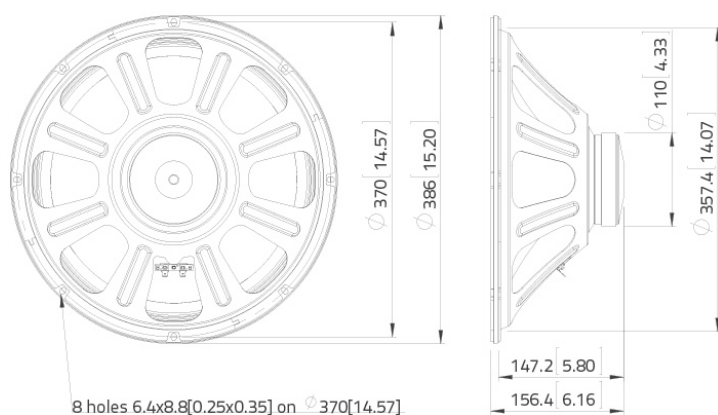
Nominal Diameter	380 mm (15 in)
Nominal Impedance	8 ohm
Minimum Impedance	5.9 ohm
Program Power	200 W Program power is defined as 3 dB greater than AES Power.
AES Power Rating	100 W Tested for two hours using a continuous, band-limited pink noise signal as per AES 2-1984 Rev. 2003. Loudspeaker tested in free air.
Sensitivity	96 dB From T/S parameters, measured with Klippel DA LPM module.
Frequency Range	35 ÷ 4000 Hz
Voice Coil Diameter	38 mm (1.5 in)
Chassis Material	STEEL
Magnet Material	FERRITE
Magnet Dimensions OD x ID x h	110 x 45 x 17 mm (4.33 x 1.77 x 0.67 in)
Coil Material	COPPER
Former Material	GLASS FIBER
Cone Material	WATER RESISTANT TREATED PAPER
Surround Material	POLYCOTTON
Xmax	4.7 mm (0.19 in) The Xmax is calculated as: $(H_{vc} - H_g)/2 + H_g/4$. Hvc is the voice coil height and Hg the gap height.
Xmech	8.7 mm (0.34 in) The Xmech is calculated as: $(H_{vc} - H_g)/2 + (H_g - 2)$. Hvc is the voice coil height and Hg the gap height.
Gap Height	8 mm (0.31 in)
Voice Coil Winding Height	13.3 mm (0.52 in)
Driver Displacement Volume	3.3 l (0.117 ft³)
Recommended Enclosure	85 l (3.002 ft³)

SMALL SIGNAL PARAMETERS

Thiele-Small parameters are measured after preconditioning: a) at 20°C-22°C, 50% humidity for 2 hours; b) by Klippel LSI measurement.

DC Resistance (Re)	5.6 ohm
Diaphragm Area (Sd)	854.8 cm ² (132.494 in ²)
Resonance Frequency (Fs)	37 Hz
Moving Mass (Mms)	66.8 g (2.356 oz)
Compliance (Cms)	0.275 mm/N
Force Factor (BxL)	9.89 N/A
Mechanical Q-Factor (Qms)	4.72
Electrical Q-Factor (Qes)	0.88
Total Q-Factor (Qts)	0.74
Equivalent Air Volume (Vas)	284.84 l (10.059 ft ³)
Voice Coil Inductance (Le)	0.88 mH
Reference Efficiency (Eta 0)	1.58 %
Efficiency Bandwidth Product (EBP)	42 Hz

DIMENSIONS



SHIPPING INFORMATION

Net Weight	2.7 kg (5.952 lb)
Multipack Quantity	1
Multipack size W x D x H	438 mm x 438 mm x 204 mm (17.2 in x 17.2 in x 8 in)
Multipack Weight	4.1 kg (9.04 lb)

All the specifications subject to change without notice.

