

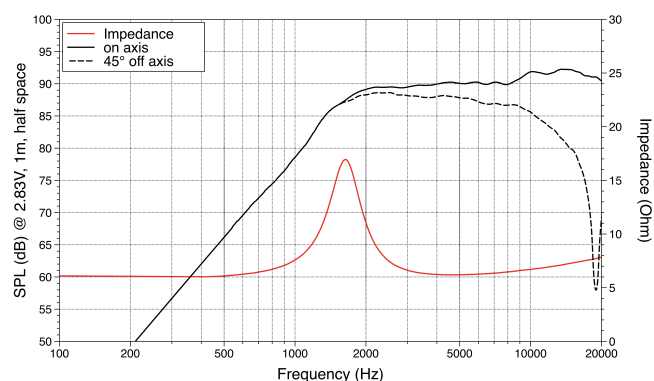
TN101.00

Lavoce

1" TWEETER

NEODYMIUM MAGNET

- 1 INCH CCAW VOICE COIL
- 91,5 dB/SPL SENSITIVITY
- 30 WATT PROGRAM POWER HANDLING
- FEM OPTIMIZED MOTOR AND SUSPENSIONS
- TEXTILE DIAPHRAGM



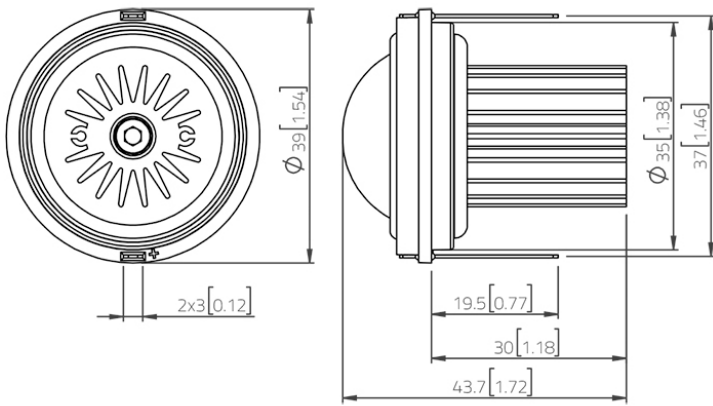
GENERAL SPECIFICATIONS

Nominal Diameter	26 mm (1 in)
Nominal Impedance	8 ohm
Minimum Impedance	6.2 ohm
Program Power	30 W Program power is defined as 3 dB greater than AES Power.
AES Power Rating	15 W Tested with heat sink for two hours using a continuous, band-limited pink noise signal as per AES 2-1984 Rev. 2003.
Sensitivity	91.5 dB Measured on axis at 2.83V, 1m, halfspace, average SPL in the frequency range
Frequency Range	1500 ÷ 20000 Hz
Voice Coil Diameter	25.4 mm (1 in)
Magnet Material	NEODYMIUM
Coil Material	CCA W
Former Material	POLYIMIDE
Diaphragm and Surround Material	TEXTILE
Ferrofluid	Yes

SMALL SIGNAL PARAMETERS

DC Resistance (Re)	5.6 ohm
Diaphragm Area (Sd)	6.6 cm² (1.023 in²)
Resonance Frequency (Fs)	1600 Hz
Moving Mass (Mms)	0.21 g (0.007 oz)
Compliance (Cms)	0.046 mm/N
Force Factor (BxL)	2.5 N/A
Mechanical Q-Factor (Qms)	4.03
Electrical Q-Factor (Qes)	1.92
Total Q-Factor (Qts)	1.3
Voice Coil Inductance (Le)	0.03 mH

DIMENSIONS



SHIPPING INFORMATION

Net Weight	0.05 kg (0.11 lb)
Multipack Quantity	100
Multipack size W x D x H	310 mm x 310 mm x 240 mm (12.2 in x 12.2 in x 9.4 in)
Multipack Weight	9.6 kg (21.16 lb)

