

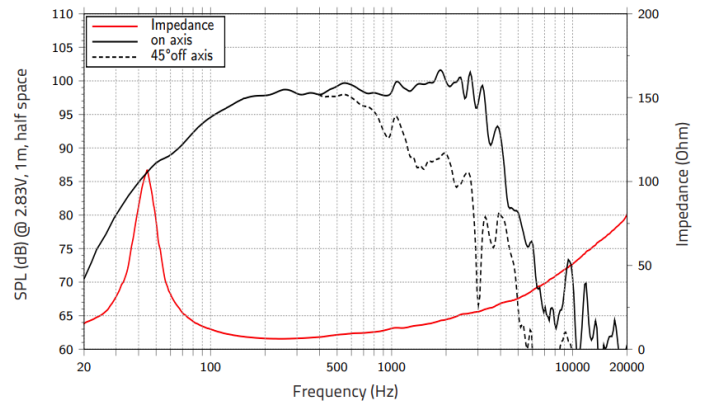
WAF153.03

Lavoce

15" WOOFER

FERRITE MAGNET
ALUMINIUM BASKET DRIVER

- 3 INCH COPPER VOICE COIL
- 100,5 dB/SPL SENSITIVITY
- 1000 WATT PROGRAM POWER HANDLING
- FEM OPTIMIZED MOTOR AND SUSPENSIONS
- OPTIMIZED COOLING SYSTEM
- ALUMINIUM DEMODULATING RING



GENERAL SPECIFICATIONS

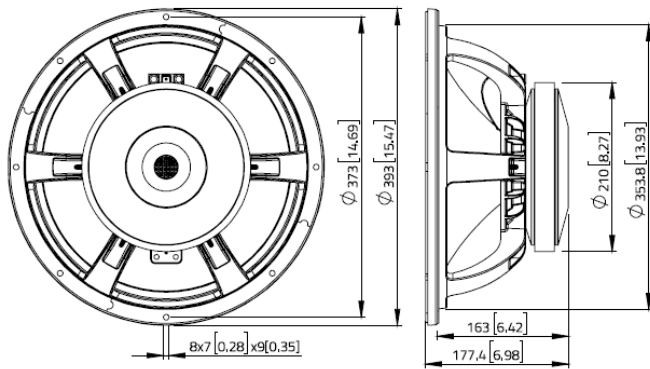
Nominal Diameter	380 mm (15 in)
Nominal Impedance	8 ohm
Minimum Impedance	6.2 ohm
Program Power	1000 W Program power is defined as 3 dB greater than AES Power.
AES Power Rating	500 W Tested for two hours using a continuous, band-limited pink noise signal as per AES 2-1984 Rev. 2003. Loudspeaker tested in free air.
Sensitivity	100.5 dB From T/S parameters, measured with Klippel DA LPM module.
Frequency Range	40 ÷ 3000 Hz
Voice Coil Diameter	75 mm (3 in)
Chassis Material	ALUMINIUM
Magnet Material	FERRITE
Magnet Dimensions OD x ID x h	210 x 90 x 25 mm (8.27 x 3.54 x 0.98 in)
Coil Material	COPPER
Former Material	GLASS FIBER
Cone Material	WATER RESISTANT TREATED PAPER + WATER PROOF FRONT SIDES TREATMENT
Surround Material	POLYCOTTON
Xmax	6.7 mm (0.26 in) The Xmax is calculated as: $(Hvc - Hg)/2 + Hg/4$. Hvc is the voice coil height and Hg the gap height.
Xmech	13 mm (0.51 in) The Xmech is calculated as: $(Hvc - Hg)/2 + (Hg-2)$. Hvc is the voice coil height and Hg the gap height.
Gap Height	11 mm (0.43 in)
Voice Coil Winding Height	19 mm (0.75 in)
Driver Displacement Volume	5 l (0.177 ft³)
Recommended Enclosure	70 l (2.472 ft³)
Recommended Tuning	59 Hz

SMALL SIGNAL PARAMETERS

Thiele-Small parameters are measured after preconditioning: a) at 20°C- 22°C, 50% humidity for 2 hours; b) by Klippel LSI measurement.

DC Resistance (Re)	5.2 ohm
Diaphragm Area (Sd)	855 cm ² (132.525 in ²)
Resonance Frequency (Fs)	44 Hz
Moving Mass (Mms)	106.5 g (3.757 oz)
Compliance (Cms)	0.123 mm/N
Force Factor (BxL)	25.26 N/A
Mechanical Q-Factor (Qms)	4.93
Electrical Q-Factor (Qes)	0.24
Total Q-Factor (Qts)	0.23
Equivalent Air Volume (Vas)	127 l (4.485 ft ³)
Voice Coil Inductance (Le)	1.09 mH
Reference Efficiency (Eta 0)	4.32 %
Efficiency Bandwidth Product (EBP)	183 Hz

DIMENSIONS



SHIPPING INFORMATION

Net Weight	10.7 kg (23.589 lb)
Multipack Quantity	1
Multipack size W x D x H	422 mm x 422 mm x 223 mm (16.6 in x 16.6 in x 8.8 in)
Multipack Weight	12.4 kg (27.34 lb)

