

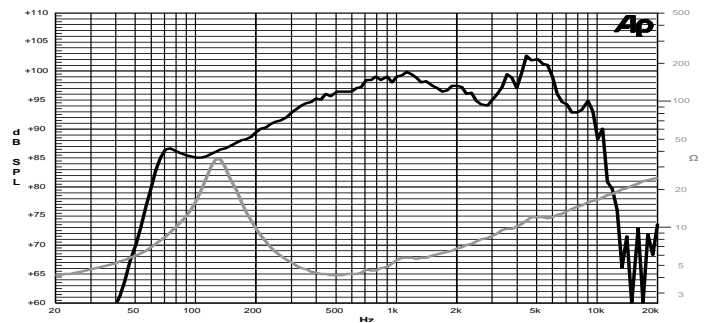
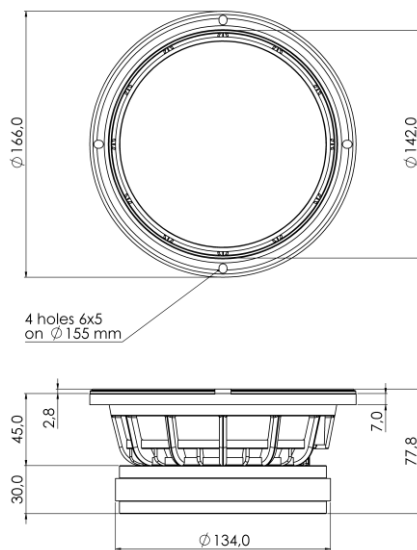
6 M 2 CP 4Ω

6" | 300 W

Code Z004079

Midrange

- 2" voice coil Kapton former and Aluminium Winding
- PS Konex Spider with Progressive Waves
- Ferrite Magnet Circuit
- VVc Ventilated Voice Coil to reduce Power Compression
- 96.8 dB sensitivity
- Frequency Range 130-6000 Hz



Frequency Response on 18 Lt @ 70 Hz Vented Box @ 1W, 1m  
Free Air Impedance

### General Specifications

Nominal Diameter	166 mm (6")
Nominal Impedance	4 Ω
Rated Power AES <sup>(1)</sup>	150 W
Continuous Program Power <sup>(2)</sup>	300 W
Sensitivity @ 1W/1m <sup>(3)</sup>	96.8 dB
Voice Coil Diameter	50 mm (2")
Voice Coil Winding Depth	9 mm
Magnetic Gap Depth	8 mm
Flux Density	1.14 T
Magnet Weight	810 g
Net Weight	2.7 kg

### Thiele & Small Parameters <sup>(4)</sup>

Re	3.1 Ω	Fs	135.0 Hz
Qms	4.05	Qes	0.38
Qts	0.35	Mms	10.8 g
Cms	129 μm/N	Bxl	8.62 Tm
Vas	3.5 l	Sd	138.9 cm <sup>2</sup>
X max <sup>(5)</sup>	+/-2.0 mm	X var <sup>(6)</sup>	+/-4.0 mm
η <sub>o</sub>	2.21 %	Le (1kHz)	0.38 mH

### Constructive Characteristics

Magnet	Ferrite
Basket Material	Aluminium Die-Cast
Voice Coil Winding Material	Aluminium
Voice Coil Former Material	Kapton
Cone Material	Paper
Cone Treatment	No
Surround Material	Treated Cloth
Dust Dome Material	Solid Paper

### Mounting Information

Overall Diameter	166 mm
Baffle Cutout Diameter	143 mm
Mounting Holes	4 holes 6x5 on ø155 mm
Total Depth	77.8 mm

(1) Rated Power measured with 2-hour test with pink noise signal, 6dB crest factor, loudspeaker in free air, power calculated on rated Zmin. (2) Power on Continuous Program is defined as 3dB greater than the Rated Power. (3) Calculated by Thiele & Small parameters, for SPL average in box refer to frequency response. (4) Thiele & Small parameters measured with laser system after preconditioning test. (5) Measured with respect to a THD of 10%. (6) Value corresponding to a decay of the Force Factor, or Compliance, or both, equal to the 50% of the small signal value. (7) Drawing dimensions: mm.