

FBASS12-20

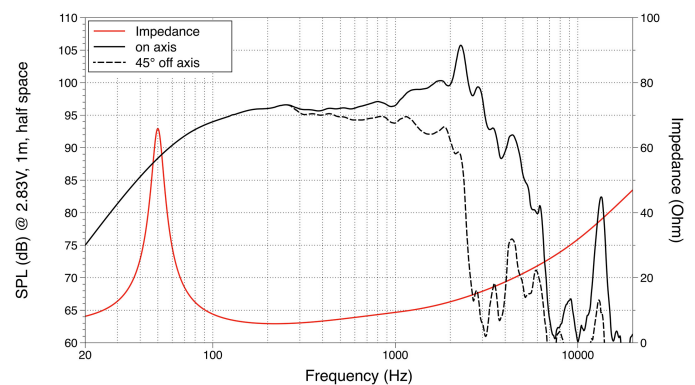
Lavoce

12" BASS GUITAR

FERRITE MAGNET
STEEL BASKET DRIVER

200 W AES 20 VC 97 dB 50-3000 Hz

A finely tuned 200W design with a prominent top-end and a driving bass tone, FBASS12-20 has the efficiency and presence required for projecting backline performances.



GENERAL SPECIFICATIONS

Nominal Diameter	300 mm (12 in)
Nominal Impedance	8 ohm
Minimum Impedance	6 ohm
Program Power	400 W Program power is defined as 3 dB greater than AES Power.
AES Power Rating	200 W Tested for two hours using a continuous, band-limited pink noise signal as per AES 2-1984 Rev. 2003. Loudspeaker tested in free air.
Sensitivity	97 dB From T/S parameters, measured with Klippel DA LPM module.
Frequency Range	50 ÷ 3000 Hz
Voice Coil Diameter	51 mm (2 in)
Chassis Material	STEEL
Magnet Material	FERRITE
Magnet Dimensions OD x ID x h	145 x 60 x 17 mm (5.71 x 2.36 x 0.67 in)
Coil Material	COPPER
Former Material	GLASS FIBER
Cone Material	WATER RESISTANT TREATED PAPER
Surround Material	POLYCOTTON
Xmax	4.3 mm (0.17 in) The Xmax is calculated as: $(Hvc - Hg)/2 + Hg/4$. Hvc is the voice coil height and Hg the gap height.
Xmech	8.4 mm (0.33 in) The Xmech is calculated as: $(Hvc - Hg)/2 + (Hg-2)$. Hvc is the voice coil height and Hg the gap height.
Gap Height	8.2 mm (0.32 in)
Voice Coil Winding Height	12.6 mm (0.5 in)
Driver Displacement Volume	1.9 l (0.067 ft³)
Recommended Enclosure	41.7 l (1.473 ft³)
Recommended Tuning	55 Hz

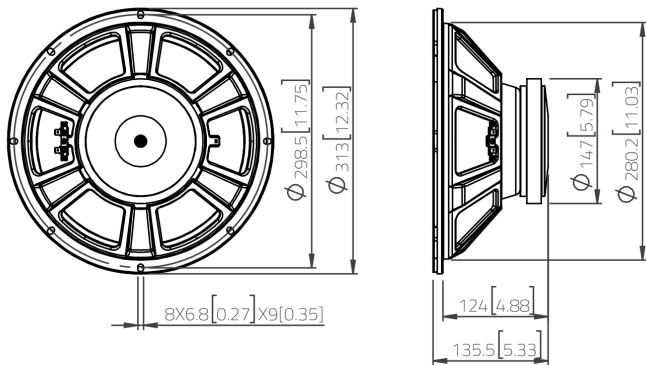
SMALL SIGNAL PARAMETERS

Thiele-Small parameters are measured after preconditioning: a) at 20°C-22°C, 50% humidity for 2 hours; b) by Klippel LSI measurement.

DC Resistance (Re)	5.3 ohm
--------------------	----------------

Diaphragm Area (Sd)	543.25 cm² (84.204 in²)
Resonance Frequency (Fs)	53 Hz
Moving Mass (Mms)	50.73 g (1.789 oz)
Compliance (Cms)	0.181 mm/N
Force Factor (BxL)	13.26 N/A
Mechanical Q-Factor (Qms)	4.71
Electrical Q-Factor (Qes)	0.51
Total Q-Factor (Qts)	0.46
Equivalent Air Volume (Vas)	75.41 l (2.663 ft³)
Voice Coil Inductance (Le)	0.6 mH
Reference Efficiency (Eta 0)	2.09 %
Efficiency Bandwidth Product (EBP)	104 Hz

DIMENSIONS



SHIPPING INFORMATION

Net Weight	3.6 kg (7.937 lb)
Multipack Quantity	1
Multipack size W x D x H	356 mm x 356 mm x 173 mm (14 in x 14 in x 6.8 in)
Multipack Weight	4.8 kg (10.58 lb)

