

NBASS10-20

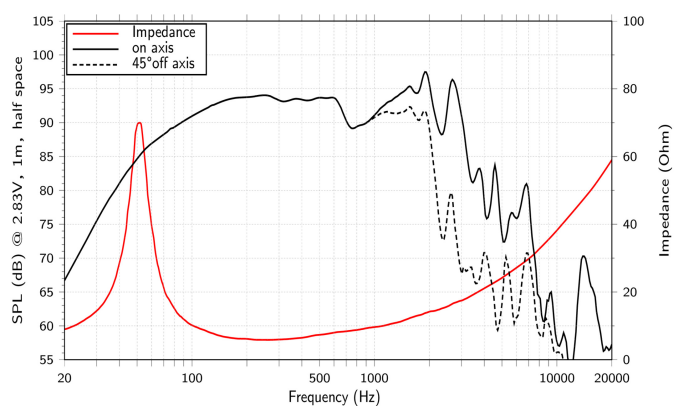
Lavoce

10" BASS GUITAR

NEODYMIUM MAGNET
STEEL BASKET DRIVER

150 W AES 20 VC 95,5 dB 50-3000 Hz

NBASS10-20 is a super lightweight neodymium 10 inch design made specifically for bass guitar cabinets or combos; Robust bass extension and finely tuned mid-band, its definition is clear through any mix.



GENERAL SPECIFICATIONS

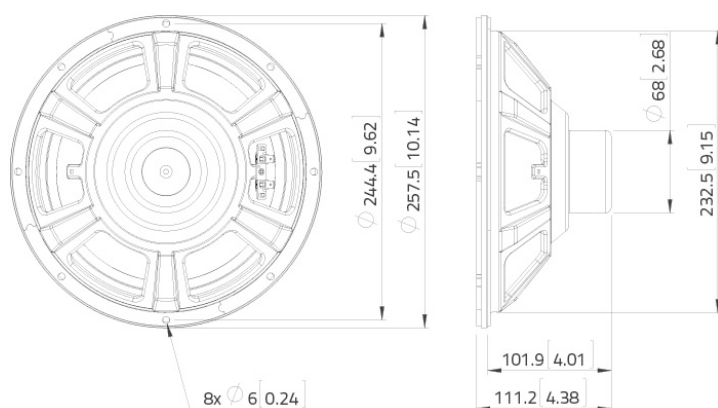
Nominal Diameter	250 mm (10 in)
Nominal Impedance	8 ohm
Minimum Impedance	5.8 ohm
Program Power	300 W Program power is defined as 3 dB greater than AES Power.
AES Power Rating	150 W Tested for two hours using a continuous, band-limited pink noise signal as per AES 2-1984 Rev. 2003. Loudspeaker tested in free air.
Sensitivity	95.5 dB From T/S parameters, measured with Klippel DA LPM module.
Frequency Range	50 ÷ 3000 Hz
Voice Coil Diameter	51 mm (2 in)
Chassis Material	STEEL
Magnet Material	NEODYMIUM
Magnet Dimensions OD x ID x h	51 x 9 mm (2.01 x 0.35 in)
Coil Material	COPPER
Former Material	GLASS FIBER
Cone Material	WATER RESISTANT TREATED PAPER
Surround Material	POLYCOTTON
Xmax	6.6 mm (0.26 in) The Xmax is calculated as: $(Hvc - Hg)/2 + Hg/4$. Hvc is the voice coil height and Hg the gap height.
Xmech	10.7 mm (0.42 in) The Xmech is calculated as: $(Hvc - Hg)/2 + (Hg - 2)$. Hvc is the voice coil height and Hg the gap height.
Gap Height	8.2 mm (0.32 in)
Voice Coil Winding Height	17.2 mm (0.68 in)
Driver Displacement Volume	0.9 l (0.032 ft³)
Recommended Enclosure	29.5 l (1.042 ft³)
Recommended Tuning	60 Hz

SMALL SIGNAL PARAMETERS

Thiele-Small parameters are measured after preconditioning: a) at 20°C-22°C, 50% humidity for 2 hours; b) by Klippel LSI measurement.

DC Resistance (Re)	5.2 ohm
Diaphragm Area (Sd)	353 cm² (54.715 in²)
Resonance Frequency (Fs)	52 Hz
Moving Mass (Mms)	38.2 g (1.347 oz)
Compliance (Cms)	0.246 mm/N
Force Factor (BxL)	12.5 N/A
Mechanical Q-Factor (Qms)	5.52
Electrical Q-Factor (Qes)	0.42
Total Q-Factor (Qts)	0.39
Equivalent Air Volume (Vas)	43.38 l (1.532 ft³)
Voice Coil Inductance (Le)	0.75 mH
Reference Efficiency (Eta 0)	1.4 %
Efficiency Bandwidth Product (EBP)	120 Hz

DIMENSIONS



SHIPPING INFORMATION

Net Weight	1.3 kg (2.866 lb)
Multipack Quantity	1
Multipack size W x D x H	300 mm x 300 mm x 148 mm (11.8 in x 11.8 in x 5.8 in)
Multipack Weight	2.3 kg (5.07 lb)

All the specifications subject to change without notice.



WWW.LAVOCESPEAKERS.COM



Lavoce

sales@lavocespeakers.com sales.cn@lavocespeakers.com