

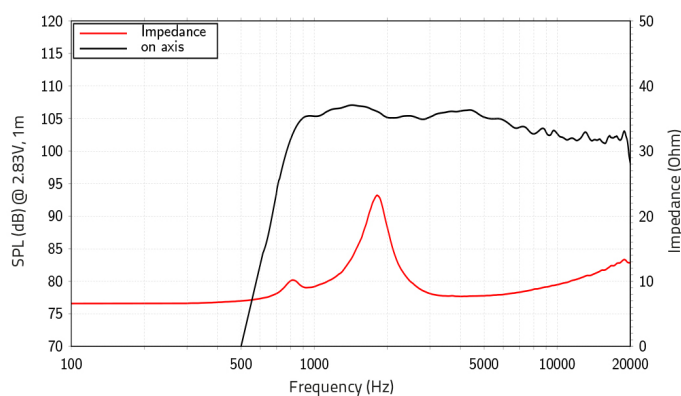
DF10.144LK

Lavoce

1" COMPRESSION DRIVER

FERRITE MAGNET

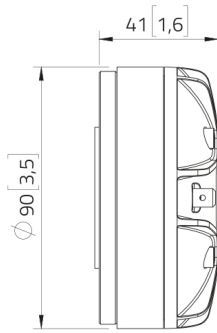
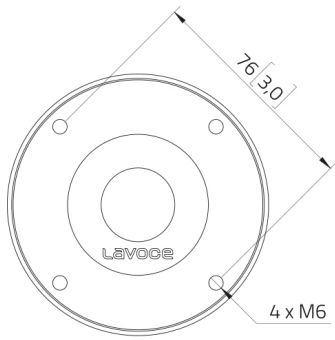
- 1.4 INCH CCAW VOICE COIL
- 106 dB/SPL SENSITIVITY
- 70 W PROGRAM POWER HANDLING
- FEM OPTIMIZED MOTOR, PHASEPLUG AND DIAPHRAGM
- 1000 - 20000 Hz FREQUENCY RANGE
- POLYIMIDE DIAPHRAGM AND SURROUND
- EXTENDED LOW FREQUENCY TO 1200 Hz



GENERAL SPECIFICATIONS

Throat Diameter	25.4 mm (1 in)
Nominal Impedance	8 ohm
Minimum Impedance	7.4 ohm
Program Power	70 W Program power is defined as 3 dB greater than AES Power.
AES Power Rating	35 W Horn loaded test for 2h with continuous, band-limited (1200-20000 Hz, 12dB/oct.) pink noise signal as per AES 2-1984 Rev. 2003.
Sensitivity	106 dB Measured on axis at 2.83V, 1m, driver loaded with HD1003 horn, SPL averaged in the frequency range 1000 ÷ 20000 Hz.
Frequency Range	1000 ÷ 20000 Hz
Voice Coil Diameter	35 mm (1.38 in)
Magnet Material	FERRITE
Coil Material	CCA W
Former Material	KAPTON
Diaphragm Geometry	DO ME
Diaphragm	POLYIMIDE
Surround Material	POLYIMIDE
Magnet OD	90 mm (3.5 in)
Voice Coil Inductance	0.09 mH
Flux Density	1.55 T
Recommended Crossover	1200 Hz High pass filter with slope 12dB/oct. or higher.
Driver Displacement Volume	0.2 l (0.007 ft³)

DIMENSIONS



SHIPPING INFORMATION

Net Weight	0.9 kg (1.984 lb)
Multipack Quantity	12
Multipack size W x D x H	498 mm x 412 mm x 85 mm (19.6 in x 16.2 in x 3.3 in)
Multipack Weight	13.2 kg (29.1 lb)

