

FBASS15-20

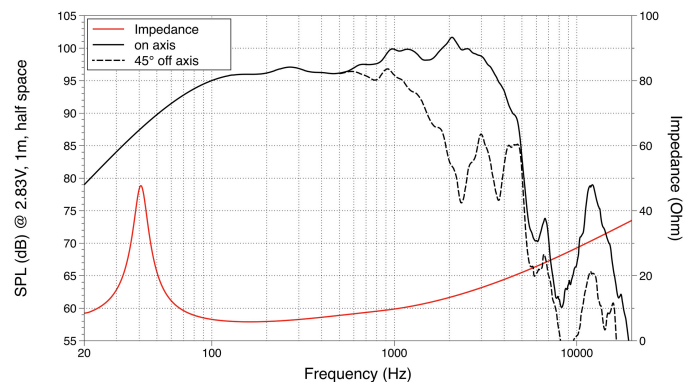
Lavoce

15" BASS GUITAR

FERRITE MAGNET
STEEL BASKET DRIVER

200 W AES 2Ω VC 98 dB 40-4000 Hz

FBASS15-20 is a classic ferrite 15" for combos, with enough power handling and efficiency to deliver a smooth top-end, and a triple roll surround to support the commanding low-end response it delivers.



GENERAL SPECIFICATIONS

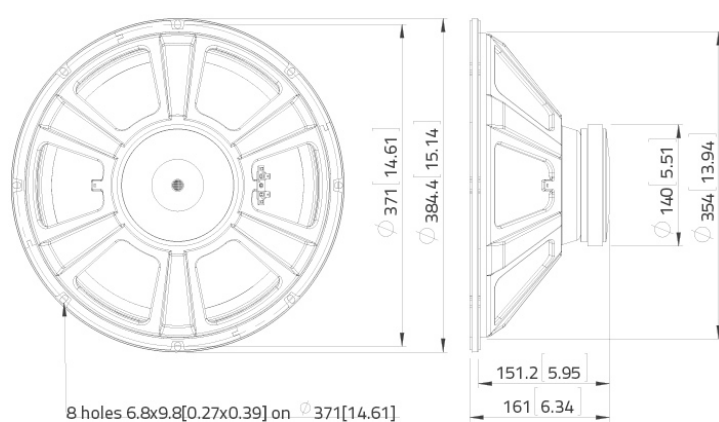
Nominal Diameter	380 mm (15 in)
Nominal Impedance	8 ohm
Minimum Impedance	5.9 ohm
Program Power	400 W Program power is defined as 3 dB greater than AES Power.
AES Power Rating	200 W Tested for two hours using a continuous, band-limited pink noise signal as per AES 2-1984 Rev. 2003. Loudspeaker tested in free air.
Sensitivity	98 dB From T/S parameters, measured with Klippel DA LPM module.
Frequency Range	40 ÷ 4000 Hz
Voice Coil Diameter	50 mm (2 in)
Chassis Material	STEEL
Magnet Material	FERRITE
Magnet Dimensions OD x ID x h	140 x 60 x 17 mm (5.51 x 2.36 x 0.67 in)
Coil Material	COPPER
Former Material	GLASS FIBER
Cone Material	WATER RESISTANT TREATED PAPER
Surround Material	POLYCOTTON
Xmax	4.3 mm (0.17 in) The Xmax is calculated as: $(Hvc - Hg)/2 + Hg/4$. Hvc is the voice coil height and Hg the gap height.
Xmech	8.4 mm (0.33 in) The Xmech is calculated as: $(Hvc - Hg)/2 + (Hg-2)$. Hvc is the voice coil height and Hg the gap height.
Gap Height	8.2 mm (0.32 in)
Voice Coil Winding Height	12.6 mm (0.5 in)
Driver Displacement Volume	3 l (0.106 ft³)
Recommended Enclosure	84.4 l (2.981 ft³)
Recommended Tuning	50 Hz

SMALL SIGNAL PARAMETERS

Thiele-Small parameters are measured after preconditioning: a) at 20°C-22°C, 50% humidity for 2 hours; b) by Klippel LSI measurement.

DC Resistance (Re)	5.2 ohm
Diaphragm Area (Sd)	855 cm² (132.525 in²)
Resonance Frequency (Fs)	40 Hz
Moving Mass (Mms)	70.34 g (2.481 oz)
Compliance (Cms)	0.23 mm/N
Force Factor (BxL)	12.78 N/A
Mechanical Q-Factor (Qms)	8.71
Electrical Q-Factor (Qes)	0.57
Total Q-Factor (Qts)	0.53
Equivalent Air Volume (Vas)	234.41 l (8.278 ft³)
Voice Coil Inductance (Le)	0.69 mH
Reference Efficiency (Eta 0)	2.52 %
Efficiency Bandwidth Product (EBP)	70 Hz

DIMENSIONS



SHIPPING INFORMATION

Net Weight	4.1 kg (9.039 lb)
Multipack Quantity	1
Multipack size W x D x H	438 mm x 438 mm x 204 mm (17.2 in x 17.2 in x 8 in)
Multipack Weight	6.2 kg (13.67 lb)

