

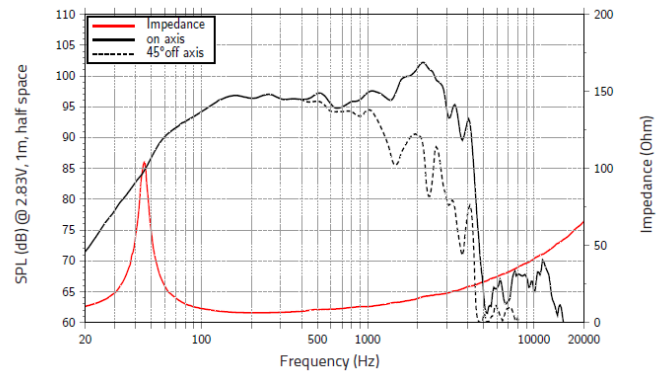
WAN143.00

Lavoce

13.5" WOOFER

NEODYMIUM MAGNET
ALUMINIUM BASKET DRIVER

- 3 INCH COPPER VOICE COIL
- 98 dB/SPL SENSITIVITY
- 1000 WATT PROGRAM POWER HANDLING
- FEM OPTIMIZED MOTOR AND SUSPENSIONS
- OPTIMIZED COOLING SYSTEM
- TRIPLE ROLL SURROUND



GENERAL SPECIFICATIONS

Nominal Diameter	340 mm (13.5 in)
Nominal Impedance	8 ohm
Minimum Impedance	6.3 ohm
Program Power	1000 W Program power is defined as 3 dB greater than AES Power.
AES Power Rating	500 W Tested for two hours using a continuous, band-limited pink noise signal as per AES 2-1984 Rev. 2003. Loudspeaker tested in free air.
Sensitivity	98 dB From T/S parameters, measured with Klippel DA LPM module.
Frequency Range	45 ÷ 3000 Hz
Voice Coil Diameter	75 mm (3 in)
Chassis Material	ALUMINIUM
Magnet Material	NEODYMIUM
Magnet Dimensions OD x ID x h	75,4 x 10 mm (2.97 x 0.39 in)
Coil Material	COPPER
Former Material	GLASS FIBER
Cone Material	WATER RESISTANT TREATED PAPER + WATER PROOF FRONT SIDES TREATMENT
Surround Material	POLYCOTTON
Xmax	7.5 mm (0.3 in) The Xmax is calculated as: $(Hvc - Hg)/2 + Hg/4$. Hvc is the voice coil height and Hg the gap height.
Xmech	13.4 mm (0.53 in) The Xmech is calculated as: $(Hvc - Hg)/2 + (Hg-2)$. Hvc is the voice coil height and Hg the gap height.
Gap Height	10.5 mm (0.41 in)
Voice Coil Winding Height	20.3 mm (0.8 in)
Driver Displacement Volume	3.2 l (0.113 ft³)
Recommended Enclosure	58.6 l (2.069 ft³)
Recommended Tuning	50 Hz

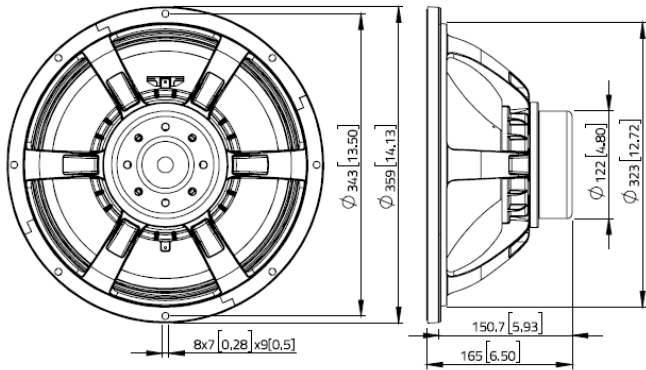
SMALL SIGNAL PARAMETERS

Thiele-Small parameters are measured after preconditioning: a) at 20°C- 22°C, 50% humidity for 2 hours; b) by Klippel LSI measurement.

DC Resistance (Re)	5.3 ohm
--------------------	----------------

Diaphragm Area (Sd)	713 cm² (110.515 in²)
Resonance Frequency (Fs)	45 Hz
Moving Mass (Mms)	87 g (3.069 oz)
Compliance (Cms)	0.143 mm/N
Force Factor (BxL)	18.7 N/A
Mechanical Q-Factor (Qms)	4.96
Electrical Q-Factor (Qes)	0.38
Total Q-Factor (Qts)	0.35
Equivalent Air Volume (Vas)	102.88 l (3.633 ft³)
Voice Coil Inductance (Le)	0.8 mH
Reference Efficiency (Eta 0)	2.42 %
Efficiency Bandwidth Product (EBP)	118 Hz

DIMENSIONS



SHIPPING INFORMATION

Net Weight	5.1 kg (11.244 lb)
Multipack Quantity	1
Multipack size W x D x H	397 mm x 397 mm x 210 mm (15.6 in x 15.6 in x 8.3 in)
Multipack Weight	6.3 kg (13.89 lb)



WWW.LAVOCESPEAKERS.COM



Lavoce

sales@lavocespeakers.com sales.cn@lavocespeakers.com