

# NBASS15-30

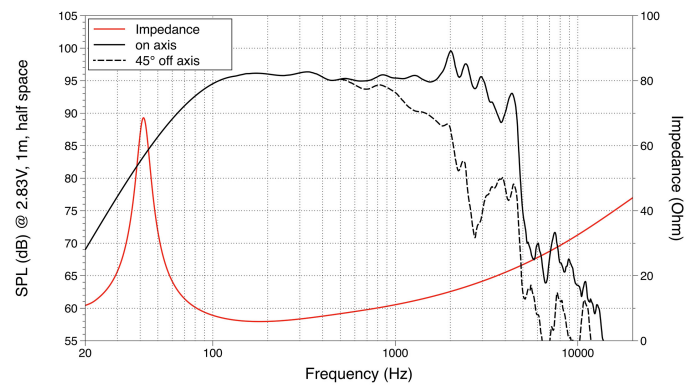
Lavoce

## 15" BASS GUITAR

NEODYMIUM MAGNET  
STEEL BASKET DRIVER

400 W AES 30 VC 98,5 dB 40-4000 Hz

Very flat frequency response and super lightweight, with a 400W rating and great efficiency makes NBASS15-30 a stand alone powerhouse for high power combos or micro amps.



### GENERAL SPECIFICATIONS

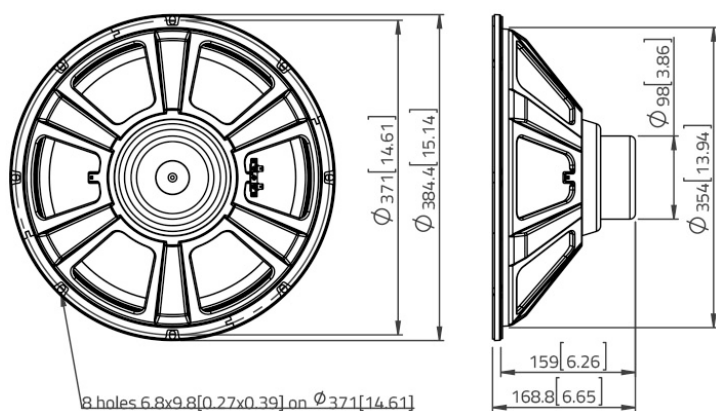
Nominal Diameter	<b>380 mm (15 in)</b>
Nominal Impedance	<b>8 ohm</b>
Minimum Impedance	<b>5.8 ohm</b>
Program Power	<b>800 W</b> Program power is defined as 3 dB greater than AES Power.
AES Power Rating	<b>400 W</b> Tested for two hours using a continuous, band-limited pink noise signal as per AES 2-1984 Rev. 2003. Loudspeaker tested in free air.
Sensitivity	<b>98.5 dB</b> From T/S parameters, measured with Klippel DA LPM module.
Frequency Range	<b>40 ÷ 4000 Hz</b>
Voice Coil Diameter	<b>75 mm (3 in)</b>
Chassis Material	<b>STEEL</b>
Magnet Material	<b>NEODYMIUM</b>
Magnet Dimensions OD x ID x h	<b>74 x 9 mm ((2.91 x 0.35) in)</b>
Coil Material	<b>COPPER</b>
Former Material	<b>GLASS FIBER</b>
Cone Material	<b>WATER RESISTANT TREATED PAPER</b>
Surround Material	<b>POLYCOTTON</b>
Xmax	<b>6.6 mm (0.26 in)</b> The Xmax is calculated as: $(H_{vc} - H_g)/2 + H_g/4$ . Hvc is the voice coil height and Hg the gap height.
Xmech	<b>12.5 mm (0.49 in)</b> The Xmech is calculated as: $(H_{vc} - H_g)/2 + (H_g - 2)$ . Hvc is the voice coil height and Hg the gap height.
Gap Height	<b>10.5 mm (0.41 in)</b>
Voice Coil Winding Height	<b>18.6 mm (0.73 in)</b>
Driver Displacement Volume	<b>3.2 l (0.113 ft³)</b>
Recommended Enclosure	<b>87 l (3.072 ft³)</b>
Recommended Tuning	<b>45 Hz</b>

## SMALL SIGNAL PARAMETERS

Thiele-Small parameters are measured after preconditioning: a) at 20°C-22°C, 50% humidity for 2 hours; b) by Klippel LSI measurement.

DC Resistance (Re)	5.1 ohm
Diaphragm Area (Sd)	855 cm <sup>2</sup> (132.525 in <sup>2</sup> )
Resonance Frequency (Fs)	42 Hz
Moving Mass (Mms)	102.1 g (3.601 oz)
Compliance (Cms)	0.138 mm/N
Force Factor (BxL)	19.2 N/A
Mechanical Q-Factor (Qms)	8.56
Electrical Q-Factor (Qes)	0.38
Total Q-Factor (Qts)	0.36
Equivalent Air Volume (Vas)	143.06 l (5.052 ft <sup>3</sup> )
Voice Coil Inductance (Le)	1.05 mH
Reference Efficiency (Eta 0)	2.79 %
Efficiency Bandwidth Product (EBP)	111 Hz

## DIMENSIONS



## SHIPPING INFORMATION

Net Weight	3.5 kg (7.716 lb)
Multipack Quantity	1
Multipack size W x D x H	438 mm x 438 mm x 212 mm (17.2 in x 17.2 in x 8.3 in)
Multipack Weight	5.7 kg (12.57 lb)

All the specifications subject to change without notice.



WWW.LAVOCESPEAKERS.COM



Lavoce

sales@lavocespeakers.com sales.cn@lavocespeakers.com