

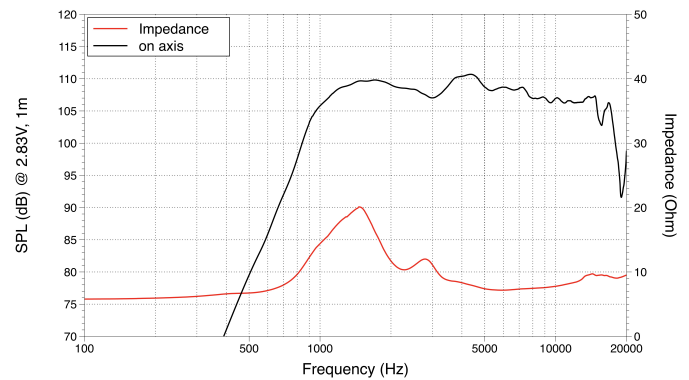
# DN10.17

Lavoce

## 1" COMPRESSION DRIVER

NEODYMIUM MAGNET

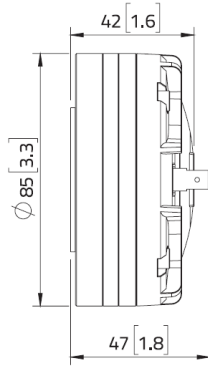
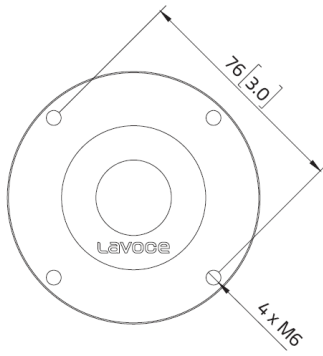
- 1.7 INCH EDGEWOUND CCA VOICE COIL
- 110 dB/SPL SENSITIVITY
- 110 W PROGRAM POWER HANDLING
- FEM OPTIMIZED MOTOR, PHASEPLUG AND DIAPHRAGM
- 1200 – 18000 Hz FREQUENCY RANGE
- HIGH TEMPERATURE POLYMERIC DIAPHRAGM
- ALTERNATIVE IMPEDANCE: 16 OHM



### GENERAL SPECIFICATIONS

Throat Diameter	<b>25.4 mm (1 in)</b>
Nominal Impedance	<b>8 ohm</b>
Minimum Impedance	<b>7.3 ohm</b>
Program Power	<b>110 W</b> Program power is defined as 3 dB greater than AES Power.
AES Power Rating	<b>55 W</b> Horn loaded test for 2h with continuous, band-limited (1600-20000 Hz, 12dB/oct.) pink noise as per AES 2-1984 Rev. 2003.
Sensitivity	<b>110 dB</b> Measured on axis at 2.83V, 1m, driver loaded with HD1003 horn, SPL averaged in the frequency range 1200 ÷ 18000 Hz.
Frequency Range	<b>1200÷18000 Hz</b>
Voice Coil Diameter	<b>44.4 mm (1.75 in)</b>
Magnet Material	<b>NEODYMIUM</b>
Coil Material	<b>EDGEWOUND CCA</b>
Former Material	<b>FIBER GLASS</b>
Diaphragm Geometry	<b>DOME</b>
Diaphragm	<b>HT POLYMER</b>
Surround Material	<b>HIGH TEMPERATURE POLYMER VENTED</b>
Magnet OD	<b>85 mm (3.3 in)</b>
Voice Coil Inductance	<b>0.09 mH</b>
Flux Density	<b>1.9 T</b>
Recommended Crossover	<b>1600 Hz</b> High pass filter with slope 12dB/oct. or higher.
Driver Displacement Volume	<b>0.2 l (0.007 ft³)</b>

### DIMENSIONS



## SHIPPING INFORMATION

Net Weight	0.9 kg (1.984 lb)
Multipack Quantity	9
Multipack size W x D x H	410 mm x 382 mm x 100 mm (16.1 in x 15 in x 3.9 in)
Multipack Weight	9.4 kg (20.72 lb)

## REPAIR KITS

HF Repair Kit	VRK03105
---------------	----------

