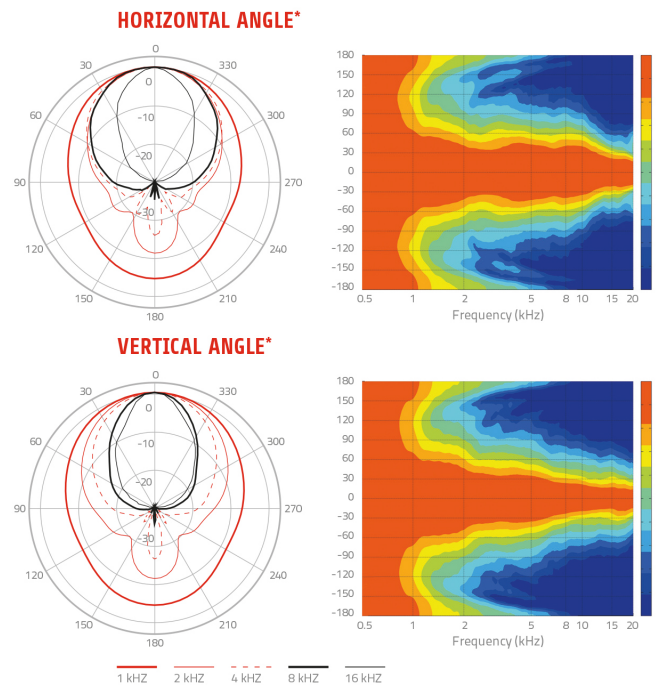
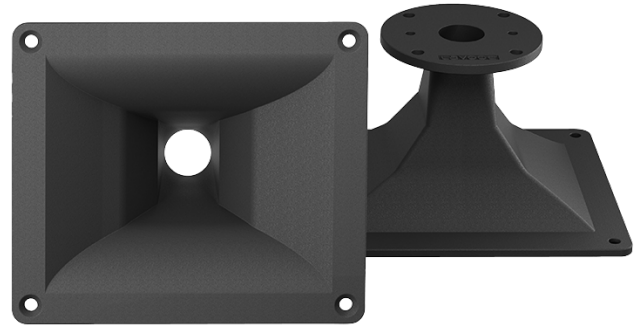


HD1004

Lavoce

1" THROAT ENTRY HORN

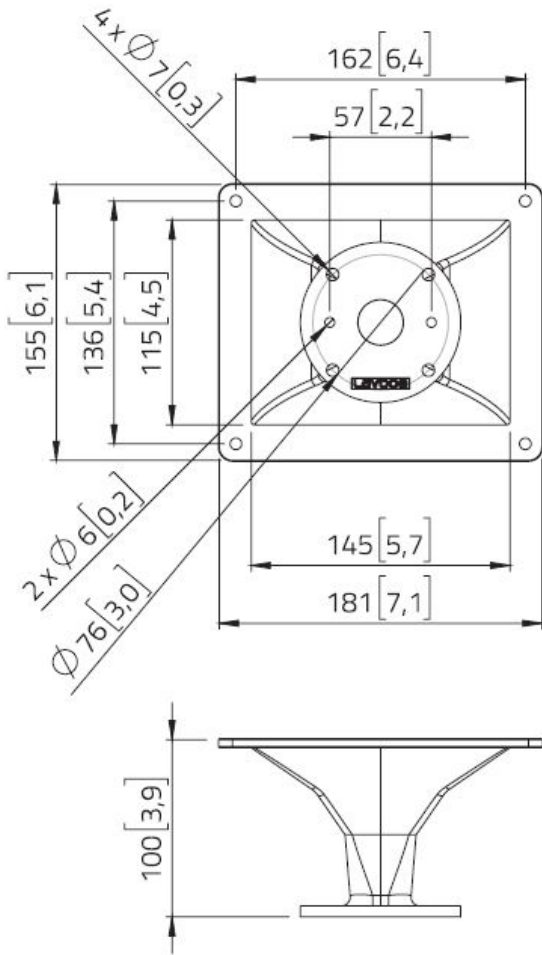
- 90° x 60° NOMINAL COVERAGE
- CUT-OFF FREQUENCY 1200Hz
- ALUMINIUM CONSTRUCTION TO ENSURE HIGH MECHANICAL STRENGTH AND HEAT DISSIPATION
- FEM OPTIMIZED EXPONENTIAL FLARE



GENERAL SPECIFICATIONS

Throat Diameter	25 mm (1 in)
Horizontal Nominal Coverage	90°
Vertical Nominal Coverage	60°
Cutoff Frequency	1200 Hz
Material	Aluminium

DIMENSIONS



SHIPPING INFORMATION

Multipack Quantity	18
Multipack size W x D x H	614 mm x 502 mm x 238 mm (in x in x in)
Multipack Weight	13.543 kg

