

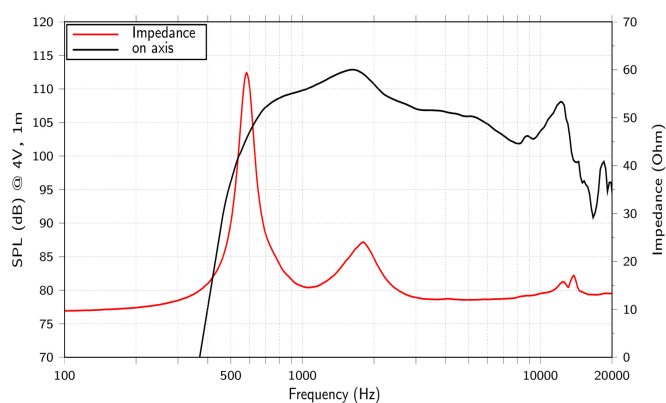
# DN14.30T-16

Lavoce

## 1.4" COMPRESSION DRIVER

NEODYMIUM MAGNET

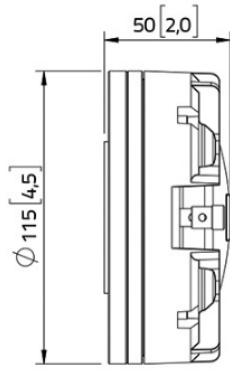
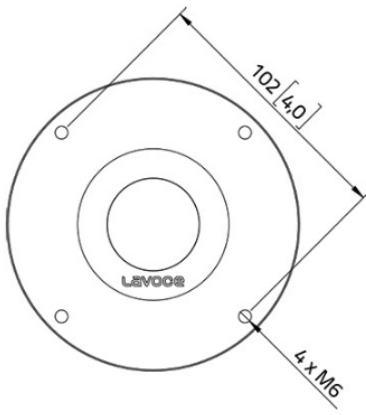
- 3 INCH EDGEWOUND CCA VOICE COIL
- 108 dB/SPL SENSITIVITY
- 220 W PROGRAM POWER HANDLING
- FEM OPTIMIZED MOTOR, PHASEPLUG AND DIAPHRAGM
- 500 - 18000 Hz FREQUENCY RANGE
- TITANIUM DIAPHRAGM
- PATENTED IIS INTEGRAL INPUT SURFACE PHASEPLUG



### GENERAL SPECIFICATIONS

Throat Diameter	<b>36 mm (1.4 in)</b>
Nominal Impedance	<b>16 ohm</b>
Minimum Impedance	<b>12 ohm</b>
Program Power	<b>220 W</b> Program power is defined as 3 dB greater than AES Power.
AES Power Rating	<b>110 W</b> Horn loaded test for 2h with continuous, band-limited (1000-20000 Hz, 12dB/oct.) pink noise as per AES 2-1984 Rev. 2003.
Sensitivity	<b>108 dB</b> Measured on axis at 2.83V, 1m, driver loaded with HD1403 horn, SPL averaged in the frequency range 500 ÷ 18000 Hz.
Frequency Range	<b>500 ÷ 18000 Hz</b>
Voice Coil Diameter	<b>75 mm (2.95 in)</b>
Magnet Material	<b>NEODYMIUM</b>
Coil Material	<b>EDGEWOUND CCA</b>
Former Material	<b>KAPTON</b>
Diaphragm Geometry	<b>DOME</b>
Diaphragm	<b>TITANIUM</b>
Surround Material	<b>TITANIUM</b>
Magnet OD	<b>115 mm (4.5 in)</b>
Voice Coil Inductance	<b>0.1 mH</b>
Flux Density	<b>1.9 T</b>
Recommended Crossover	<b>1200 Hz</b> High pass filter with slope 12dB/oct. or higher.
Driver Displacement Volume	<b>0.5 l (0.018 ft³)</b>

### DIMENSIONS



## SHIPPING INFORMATION

Net Weight	1.4 kg (3.086 lb)
Multipack Quantity	9
Multipack size W x D x H	460 mm x 430 mm x 100 mm (18.1 in x 16.9 in x 3.9 in)
Multipack Weight	14.8 kg (32.63 lb)

## REPAIR KITS

HF Repair Kit	VRK93145
---------------	----------

