

# NBASS12-30

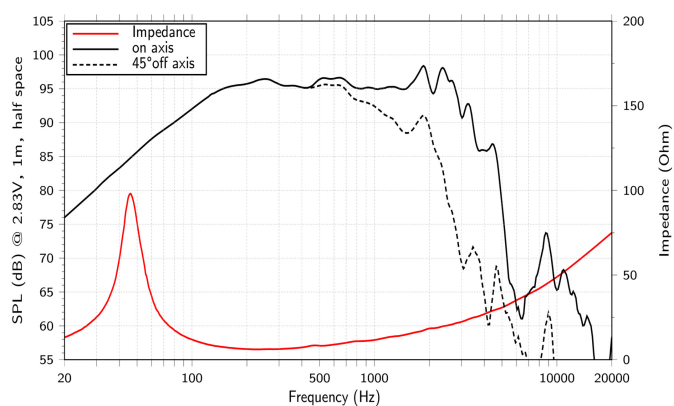
Lavoce

## 12" BASS GUITAR

NEODYMIUM MAGNET  
STEEL BASKET DRIVER

400 W AES 3Ω VC 97,5 dB 50-3000 Hz

400W of pure bass tonality; lightweight neo motor, super flat response shape to 3kHz and an optimized resonance ensure the low-end and mid-high partnership of NBASS12-30 impresses every time.



### GENERAL SPECIFICATIONS

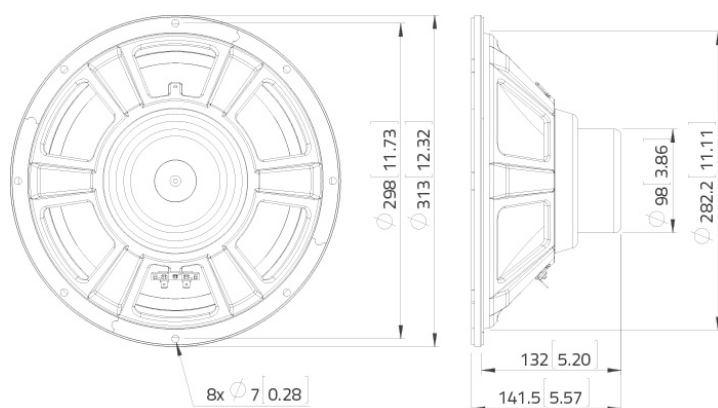
Nominal Diameter	300 mm (12 in)
Nominal Impedance	8 ohm
Minimum Impedance	6 ohm
Program Power	800 W Program power is defined as 3 dB greater than AES Power.
AES Power Rating	400 W Tested for two hours using a continuous, band-limited pink noise signal as per AES 2-1984 Rev. 2003. Loudspeaker tested in free air.
Sensitivity	97.5 dB From T/S parameters, measured with Klippel DA LPM module.
Frequency Range	50 ÷ 3000 Hz
Voice Coil Diameter	75 mm (3 in)
Chassis Material	STEEL
Magnet Material	NEODYMIUM
Magnet Dimensions OD x ID x h	74 x 9 mm (2.91 x 0.35 in)
Coil Material	COPPER
Former Material	GLASS FIBER
Cone Material	WATER RESISTANT TREATED PAPER
Surround Material	POLYCOTTON
Xmax	6.6 mm (0.26 in) The Xmax is calculated as: $(H_{vc} - H_g)/2 + H_g/4$ . Hvc is the voice coil height and Hg the gap height.
Xmech	12.5 mm (0.49 in) The Xmech is calculated as: $(H_{vc} - H_g)/2 + (H_g - 2)$ . Hvc is the voice coil height and Hg the gap height.
Gap Height	10.5 mm (0.41 in)
Voice Coil Winding Height	18.5 mm (0.73 in)
Driver Displacement Volume	2.1 l (0.074 ft <sup>3</sup> )
Recommended Enclosure	47.5 l (1.677 ft <sup>3</sup> )
Recommended Tuning	55 Hz

## SMALL SIGNAL PARAMETERS

Thiele-Small parameters are measured after preconditioning: a) at 20°C-22°C, 50% humidity for 2 hours; b) by Klippel LSI measurement.

DC Resistance (Re)	5.2 ohm
Diaphragm Area (Sd)	531 cm <sup>2</sup> (82.305 in <sup>2</sup> )
Resonance Frequency (Fs)	46 Hz
Moving Mass (Mms)	69.7 g (2.459 oz)
Compliance (Cms)	0.172 mm/N
Force Factor (BxL)	19.53 N/A
Mechanical Q-Factor (Qms)	5.56
Electrical Q-Factor (Qes)	0.27
Total Q-Factor (Qts)	0.26
Equivalent Air Volume (Vas)	68.63 l (2.424 ft <sup>3</sup> )
Voice Coil Inductance (Le)	1 mH
Reference Efficiency (Eta 0)	2.34 %
Efficiency Bandwidth Product (EBP)	170 Hz

## DIMENSIONS



## SHIPPING INFORMATION

Net Weight	2.9 kg (6.393 lb)
Multipack Quantity	1
Multipack size W x D x H	356 mm x 256 mm x 173 mm (14 in x 10.1 in x 6.8 in)
Multipack Weight	4.3 kg (9.48 lb)

All the specifications subject to change without notice.

