

# NBASS08-20-32

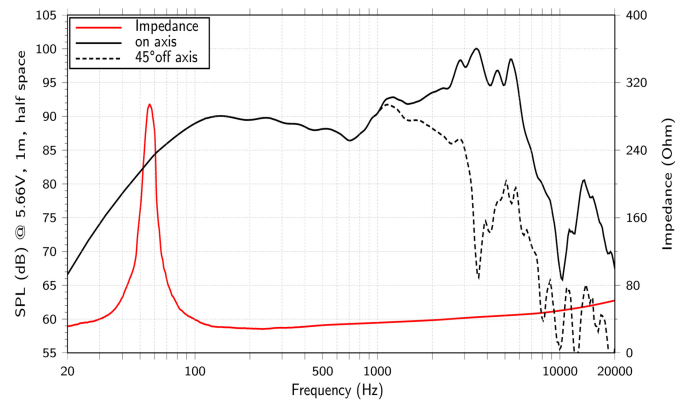
Lavoce

## 8" WOOFER

NEODYMIUM MAGNET  
STEEL BASKET DRIVER

200 W AES 2Ω VC 90 dB 55-4000 Hz

Natural response, strong low-end and tight mid-highs, characterized by an optimized rubber surround and a responsive lightweight neo motor makes the NBASS08-20 the perfect tonal 8Ω solution.



### GENERAL SPECIFICATIONS

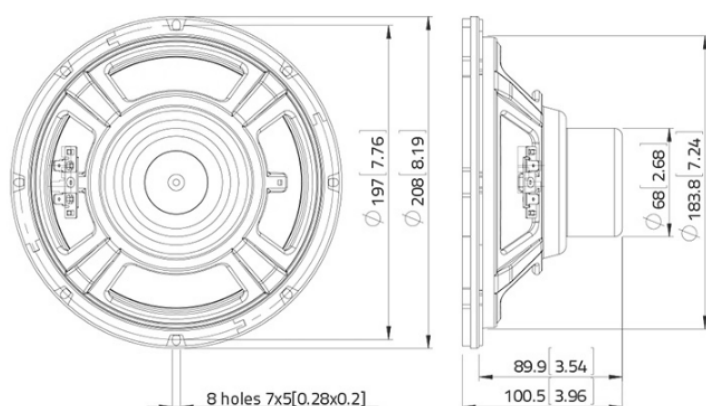
Nominal Diameter	<b>200 mm (8 in)</b>
Nominal Impedance	<b>32 ohm</b>
Minimum Impedance	<b>28.3 ohm</b>
Program Power	<b>400 W</b> Program power is defined as 3 dB greater than AES Power.
AES Power Rating	<b>200 W</b> Tested for two hours using a continuous, band-limited pink noise signal as per AES 2-1984 Rev. 2003. Loudspeaker tested in free air.
Sensitivity	<b>90 dB</b> From T/S parameters, measured with Klippel DA LPM module.
Frequency Range	<b>55 - 4000 Hz</b>
Voice Coil Diameter	<b>51 mm (2 in)</b>
Chassis Material	<b>STEEL</b>
Magnet Material	<b>NEODYMIUM</b>
Magnet Dimensions OD x ID x h	<b>50 x 9 mm (1.96 x 0.35 in)</b>
Coil Material	<b>COPPER</b>
Former Material	<b>GLASS FIBER</b>
Cone Material	<b>WATER RESISTANT TREATED PAPER</b>
Surround Material	<b>RUBBER</b>
Xmax	<b>6.4 mm (0.25 in)</b> The Xmax is calculated as: $(Hvc - Hg)/2 + Hg/4$ . Hvc is the voice coil winding height and Hg the gap height.
Xmech	<b>10.5 mm (0.41 in)</b> The Xmech is calculated as: $(Hvc - Hg)/2 + (Hg-2)$ . Hvc is the voice coil winding height and Hg the gap height.
Gap Height	<b>8.2 mm (0.32 in)</b>
Voice Coil Winding Height	<b>16.8 mm (0.66 in)</b>
Driver Displacement Volume	<b>0.5 l (0.018 ft³)</b>
Recommended Enclosure	<b>16.6 l (0.586 ft³)</b>
Recommended Tuning	<b>70 Hz</b>

## SMALL SIGNAL PARAMETERS

Thiele-Small parameters are measured after preconditioning: a) at 20°C- 22°C, 50% humidity for 2 hours; b) by Klippel LSI measurement.

DC Resistance (Re)	<b>25.8 ohm</b>
Diaphragm Area (Sd)	<b>235.1 cm<sup>2</sup> (36.441 in<sup>2</sup>)</b>
Resonance Frequency (Fs)	<b>57 Hz</b>
Moving Mass (Mms)	<b>29.4 g (1.037 oz)</b>
Compliance (Cms)	<b>0.265 mm/N</b>
Force Factor (BxL)	<b>19.25 N/A</b>
Mechanical Q-Factor (Qms)	<b>7.93</b>
Electrical Q-Factor (Qes)	<b>0.73</b>
Total Q-Factor (Qts)	<b>0.67</b>
Equivalent Air Volume (Vas)	<b>20.73 l (0.732 ft<sup>3</sup>)</b>
Voice Coil Inductance (Le)	<b>0.27 mH</b>
Reference Efficiency (Eta 0)	<b>0.5 %</b>
Efficiency Bandwidth Product (EBP)	<b>78.08 Hz</b>

## DIMENSIONS



## SHIPPING INFORMATION

Multipack Quantity	<b>1</b>
Multipack size W x D x H	<b>248 mm x 248 mm x 145 mm (9.8 in x 9.8 in x 5.7 in)</b>
Multipack Weight	<b>1.7 kg (3.75 lb)</b>

All the specifications subject to change without notice.

