

LBASS12-15

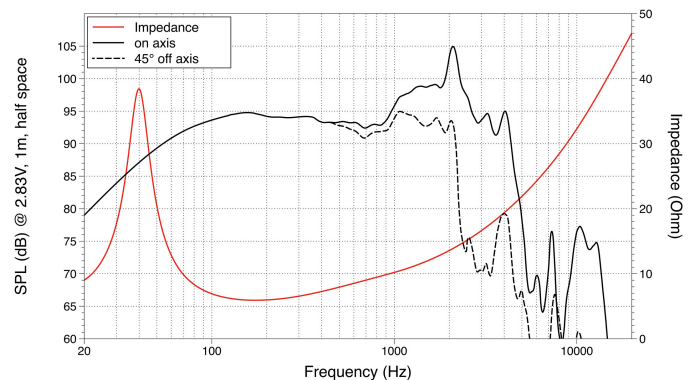
Lavoce

12" BASS GUITAR

FERRITE MAGNET
STEEL BASKET DRIVER

100 W AES 1.5D VC 95,5 dB 40-4000 Hz

LBASS12-15 is a great partner for cost-effective bass combos or cabinets, delivering good efficiency and a wide frequency response, with an overall balances and rich tone.



GENERAL SPECIFICATIONS

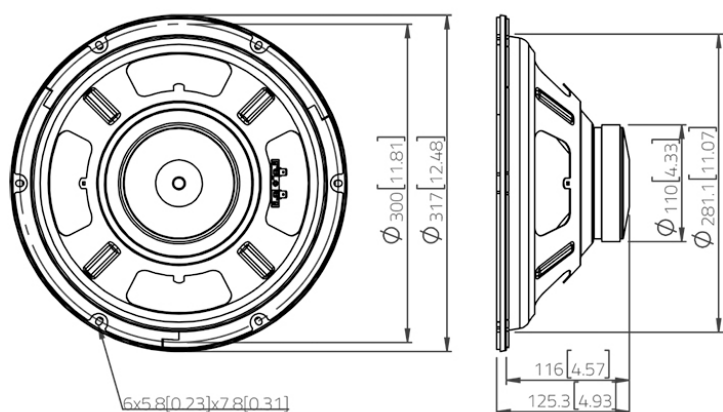
Nominal Diameter	300 mm (12 in)
Nominal Impedance	8 ohm
Minimum Impedance	5.9 ohm
Program Power	200 W Program power is defined as 3 dB greater than AES Power.
AES Power Rating	100 W Tested for two hours using a continuous, band-limited pink noise signal as per AES 2-1984 Rev. 2003. Loudspeaker tested in free air.
Sensitivity	95.5 dB From T/S parameters, measured with Klippel DA LPM module.
Frequency Range	40 ÷ 4000 Hz
Voice Coil Diameter	38 mm (1.5 in)
Chassis Material	STEEL
Magnet Material	FERRITE
Magnet Dimensions OD x ID x h	110 x 45 x 17 mm (4.33 x 1.77 x 0.67 in)
Coil Material	COPPER
Former Material	GLASS FIBER
Cone Material	WATER RESISTANT TREATED PAPER
Surround Material	POLYCOTTON
Xmax	4.7 mm (0.19 in) The Xmax is calculated as: $(Hvc - Hg)/2 + Hg/4$. Hvc is the voice coil height and Hg the gap height.
Xmech	8.7 mm (0.34 in) The Xmech is calculated as: $(Hvc - Hg)/2 + (Hg-2)$. Hvc is the voice coil height and Hg the gap height.
Gap Height	8 mm (0.31 in)
Voice Coil Winding Height	13.3 mm (0.52 in)
Driver Displacement Volume	1.7 l (0.06 ft³)
Recommended Enclosure	40.9 l (1.444 ft³)
Recommended Tuning	50 Hz

SMALL SIGNAL PARAMETERS

Thiele-Small parameters are measured after preconditioning: a) at 20°C-22°C, 50% humidity for 2 hours; b) by Klippel LSI measurement.

DC Resistance (Re)	5.4 ohm
Diaphragm Area (Sd)	535.02 cm ² (82.928 in ²)
Resonance Frequency (Fs)	38 Hz
Moving Mass (Mms)	44.3 g (1.563 oz)
Compliance (Cms)	0.4 mm/N
Force Factor (BxL)	10.08 N/A
Mechanical Q-Factor (Qms)	3.43
Electrical Q-Factor (Qes)	0.56
Total Q-Factor (Qts)	0.48
Equivalent Air Volume (Vas)	160.93 l (5.683 ft ³)
Voice Coil Inductance (Le)	0.7 mH
Reference Efficiency (Eta 0)	1.5 %
Efficiency Bandwidth Product (EBP)	68 Hz

DIMENSIONS



SHIPPING INFORMATION

Net Weight	2.4 kg (5.291 lb)
Multipack Quantity	1
Multipack size W x D x H	356 mm x 356 mm x 162 mm (14 in x 14 in x 6.4 in)
Multipack Weight	3.5 kg (7.72 lb)

