

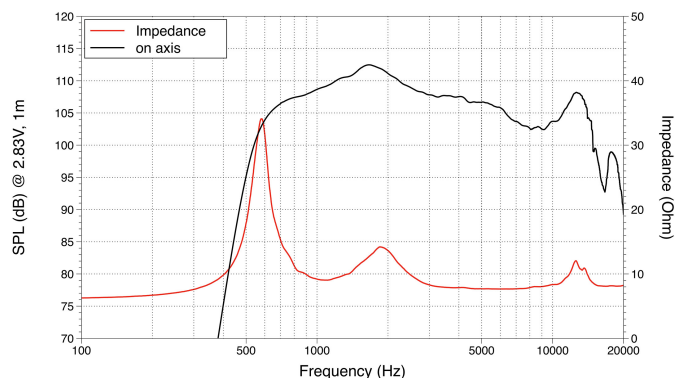
DN14.30T

Lavoce

1.4" COMPRESSION DRIVER

NEODYMIUM MAGNET

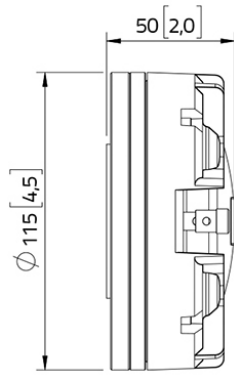
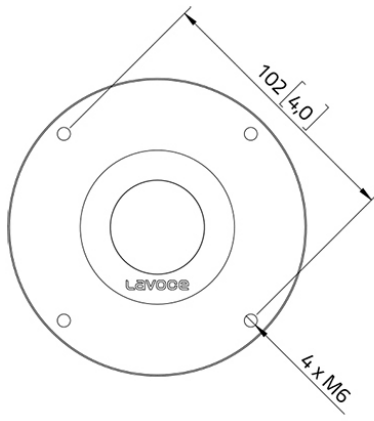
- 3 INCH EDGEWOUND CCA VOICE COIL
- 108 dB/SPL SENSITIVITY
- 220 W PROGRAM POWER HANDLING
- FEM OPTIMIZED MOTOR, PHASEPLUG AND DIAPHRAGM
- 500 - 18000 Hz FREQUENCY RANGE
- TITANIUM DIAPHRAGM PATENTED IIS INTEGRAL INPUT SURFACE PHASEPLUG



GENERAL SPECIFICATIONS

Throat Diameter	36 mm (1.4 in)
Nominal Impedance	8 ohm
Minimum Impedance	7.6 ohm
Program Power	220 W Program power is defined as 3 dB greater than AES Power.
AES Power Rating	110 W Horn loaded test for 2h with continuous, band-limited (1000-20000 Hz, 12dB/oct.) pink noise as per AES 2-1984 Rev. 2003.
Sensitivity	108 dB Measured on axis at 2.83V, 1m, driver loaded with HD1403 horn, SPL averaged in the frequency range 500 ÷ 18000 Hz.
Frequency Range	500÷18000 Hz
Voice Coil Diameter	75 mm (2.95 in)
Magnet Material	NEODYMIUM
Coil Material	EDGEWOUND CCA
Former Material	KAPTON
Diaphragm Geometry	DOME
Diaphragm	TITANIUM
Surround Material	TITANIUM
Magnet OD	115 mm (4.5 in)
Voice Coil Inductance	0.1 mH
Flux Density	1.9 T
Recommended Crossover	1200 Hz High pass filter with slope 12dB/oct. or higher.
Driver Displacement Volume	0.5 l (0.018 ft³)

DIMENSIONS



SHIPPING INFORMATION

Net Weight	1.4 kg (3.086 lb)
Multipack Quantity	9
Multipack size W x D x H	460 mm x 430 mm x 100 mm (18.1 in x 16.9 in x 3.9 in)
Multipack Weight	14.8 kg (32.63 lb)

REPAIR KITS

HF Repair Kit	VRK93141
---------------	-----------------

