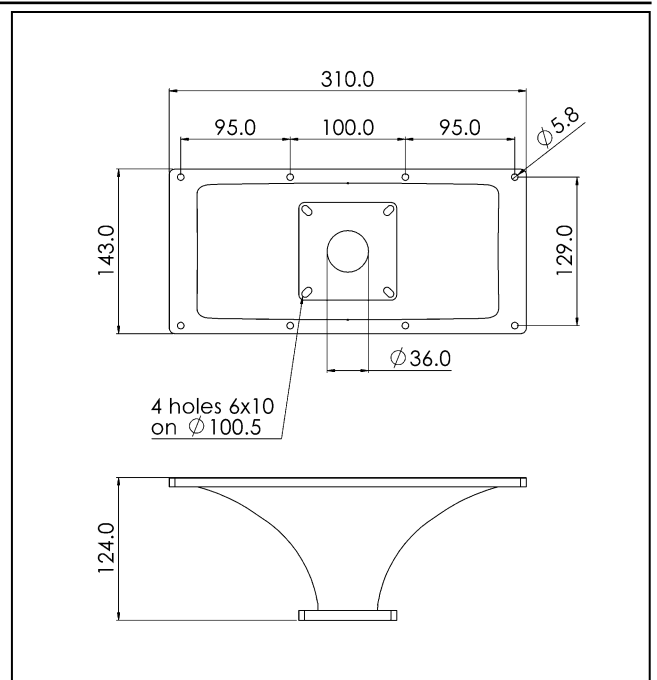
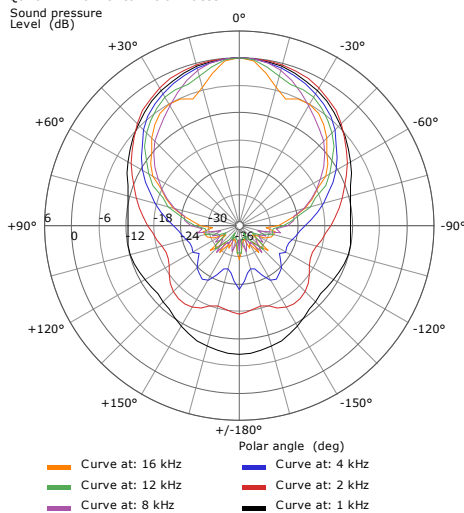


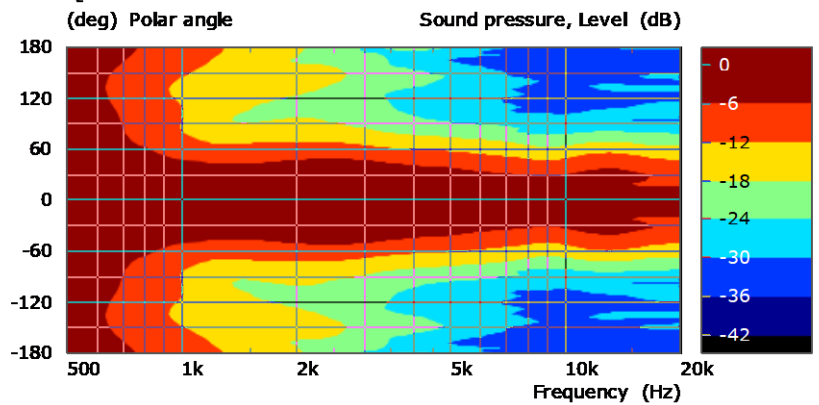
SPECIFICATIONS		
Throat Diameter .....	36.0	mm (1.4")
Cutoff Frequency .....	0.8	kHz
Net Weight .....	0.46	Kg
Horizontal coverage .....	80°	
Vertical coverage .....	50°	
Material .....	ABS+Fiberglass	
Shape .....	Rectangular	
MOUNTING INFORMATION		
Overall Dimensions .....	310x143x124 mm	
Baffle Cutout Dimensions.....	223.5x115 mm	
Driver Mounting Holes.....	4 holes 6x10 on $\Phi 100.5$ mm	
Baffle Mounting Holes.....	8holes $\Phi 5.8$ mm	
NOTE		



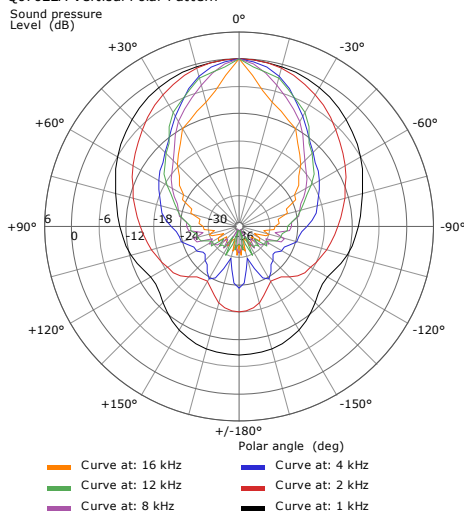
Q07022A Horizontal Polar Pattern



Q07022A Horizontal Polar Pattern



Q07022A Vertical Polar Pattern



Q07022A Vertical Polar Pattern

