

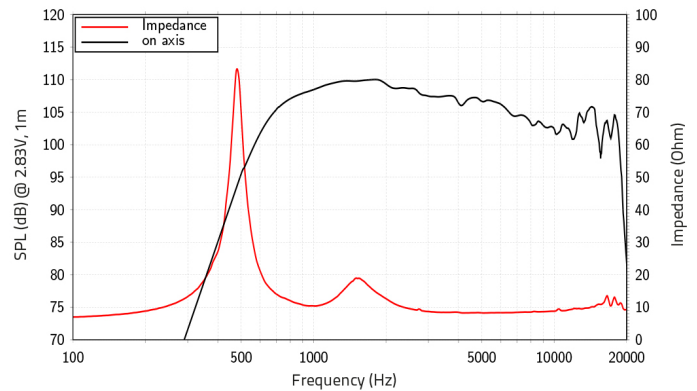
# DN14.300TK

Lavoce

## 1.4" COMPRESSION DRIVER

NEODYMIUM MAGNET

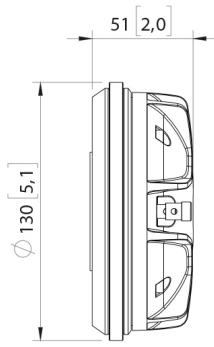
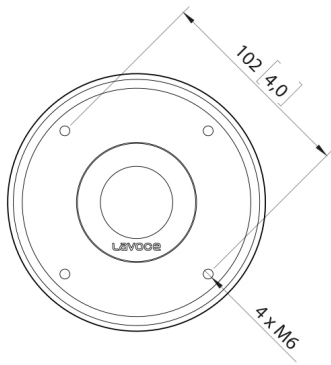
- 3 INCH EDGEWOUND CCA VOICE COIL
- 109 dB/SPL SENSITIVITY
- 220 W PROGRAM POWER HANDLING
- FEM OPTIMIZED MOTOR, PHASEPLUG AND DIAPHRAGM
- 500 - 20000 Hz FREQUENCY RANGE
- TITANIUM DIAPHRAGM AND POLYIMIDE SURROUND
- PATENTED IIS INTEGRAL INPUT SURFACE PHASEPLUG



### GENERAL SPECIFICATIONS

Throat Diameter	<b>36 mm (1.4 in)</b>
Nominal Impedance	<b>8 ohm</b>
Minimum Impedance	<b>8 ohm</b>
Program Power	<b>220 W</b> Program power is defined as 3 dB greater than AES Power.
AES Power Rating	<b>110 W</b> Horn loaded test for 2h with continuous, band-limited (1200-20000 Hz, 12dB/oct.) pink noise as per AES 2-1984 Rev. 2003.
Sensitivity	<b>109 dB</b> Measured on axis at 2.83V, 1m, driver loaded with HD1403 horn, SPL averaged in the frequency range 800 ÷ 20000 Hz.
Frequency Range	<b>500÷20000 Hz</b>
Voice Coil Diameter	<b>75 mm (2.95 in)</b>
Magnet Material	<b>NEODYMIUM</b>
Coil Material	<b>EDGEWOUND CCA</b>
Former Material	<b>KAPTON</b>
Diaphragm Geometry	<b>DOME</b>
Diaphragm	<b>TITANIUM</b>
Surround Material	<b>POLYIMIDE</b>
Magnet OD	<b>130 mm (5.1 in)</b>
Voice Coil Inductance	<b>0.09 mH</b>
Flux Density	<b>2.1 T</b>
Recommended Crossover	<b>1200 Hz</b> High pass filter with slope 12dB/oct. or higher.
Driver Displacement Volume	<b>0.5 l (0.018 ft³)</b>

### DIMENSIONS



## SHIPPING INFORMATION

Net Weight	<b>2 kg (4.409 lb)</b>
Multipack Quantity	<b>8</b>
Multipack size W x D x H	<b>345 mm x 315 mm x 162 mm (13.6 in x 12.4 in x 6.4 in)</b>
Multipack Weight	<b>17.5 kg (38.58 lb)</b>

All the specifications subject to change without notice.

