

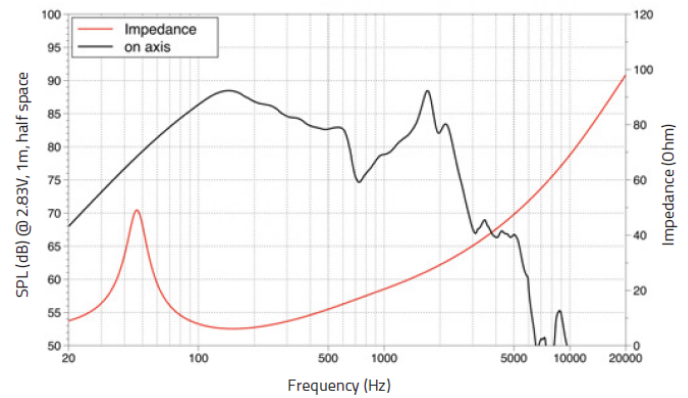
SSF081.50

Lavoce

8" SUBWOOFER

FERRITE MAGNET
STEEL BASKET DRIVER

- 1.5 INCH COPPER VOICE COIL
- 89 dB/SPL SENSITIVITY
- 400 WATT PROGRAM POWER HANDLING
- 21 mm (0.8 INCH) PEAK TO PEAK MAXIMUM EXCURSION
- FEM OPTIMIZED MOTOR AND SUSPENSIONS
- 70 mm INSTALLATION DEPTH
- RESONANCE FREE AND HEAVY DUTY STEEL BASKET DESIGN
- RUBBER SURROUND MATERIAL



GENERAL SPECIFICATIONS

Nominal Diameter	200 mm (8 in)
Nominal Impedance	8 ohm
Minimum Impedance	6.8 ohm
Program Power	400 W Program power is defined as 3 dB greater than AES Power.
AES Power Rating	200 W Tested for two hours using a continuous, band-limited pink noise signal as per AES 2-1984 Rev. 2003. Loudspeaker tested in free air.
Sensitivity	89 dB From T/S parameters, measured with Klippel DA LPM module.
Frequency Range	50 ÷ 500 Hz
Voice Coil Diameter	38 mm (1.5 in)
Chassis Material	STEEL
Magnet Material	FERRITE
Magnet Dimensions OD x ID x h	120 x 60 x 22 mm (4.7 x 2.4 x 0.9 in)
Coil Material	COPPER
Former Material	ALUMINIUM
Cone Material	WATER RESISTANT TREATED PAPER
Surround Material	RUBBER
Xmax	6.3 mm (0.25 in) The Xmax is calculated as: $(Hvc - Hg)/2 + Hg/4$. Hvc is the voice coil height and Hg the gap height.
Xmech	10.3 mm (0.41 in) The Xmech is calculated as: $(Hvc - Hg)/2 + (Hg-2)$. Hvc is the voice coil height and Hg the gap height.
Gap Height	8 mm (0.31 in)
Voice Coil Winding Height	16.5 mm (0.65 in)
Driver Displacement Volume	0.7 l (0.025 ft³)

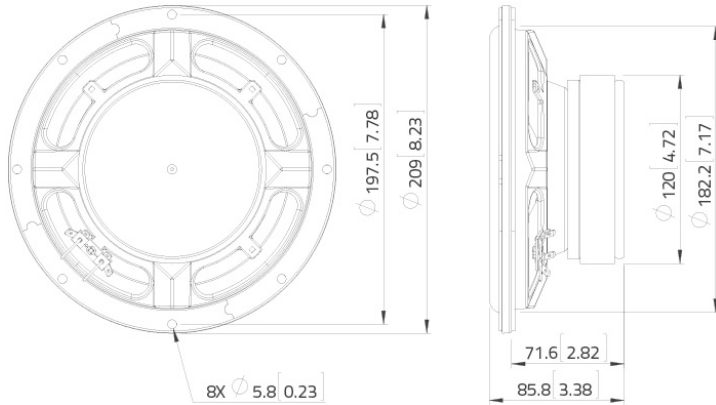
SMALL SIGNAL PARAMETERS

Thiele-Small parameters are measured after preconditioning: a) at 20°C- 22°C, 50% humidity for 2 hours; b) by Klippel LSI measurement.

DC Resistance (Re)	5.3 ohm
--------------------	----------------

Diaphragm Area (Sd)	216 cm ² (33.48 in ²)
Resonance Frequency (Fs)	47 Hz
Moving Mass (Mms)	46.6 g (1.644 oz)
Compliance (Cms)	0.24 mm/N
Force Factor (BxL)	12.6 N/A
Mechanical Q-Factor (Qms)	3.7
Electrical Q-Factor (Qes)	0,45
Total Q-Factor (Qts)	0.4
Equivalent Air Volume (Vas)	16 l (0.565 ft ³)
Voice Coil Inductance (Le)	1.43 mH
Reference Efficiency (Eta 0)	0.35 %

DIMENSIONS



SHIPPING INFORMATION

Net Weight	2.5 kg (5.512 lb)
Multipack Quantity	1
Multipack size W x D x H	260 mm x 260 mm x 120 mm (10.2 in x 10.2 in x 4.7 in)
Multipack Weight	3.6 kg (7.94 lb)

