

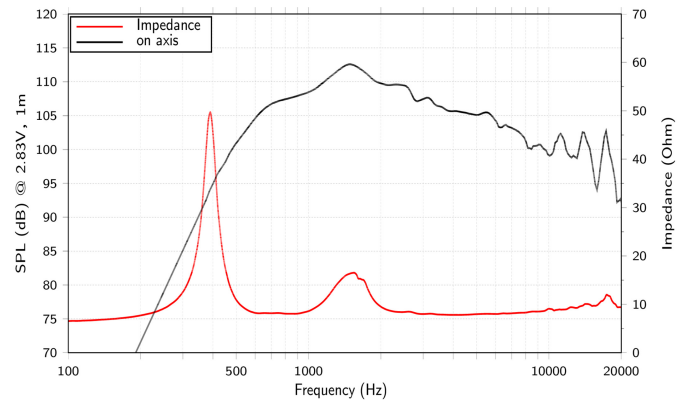
DN14.40TK

Lavoce

1.4" COMPRESSION DRIVER

NEODYMIUM MAGNET

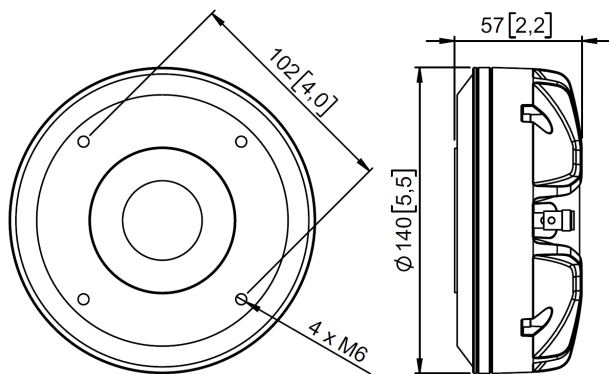
- 4 INCH EDGEWOUND CCA VOICE COIL
- 109 dB/SPL SENSITIVITY
- 260 W PROGRAM POWER HANDLING
- FEM OPTIMIZED MOTOR, PHASEPLUG AND DIAPHRAGM
- 500 - 20000 Hz FREQUENCY RANGE
- TITANIUM DIAPHRAGM AND POLYIMIDE SURROUND
- PATENTED IIS INTEGRAL INPUT SURFACE PHASEPLUG



GENERAL SPECIFICATIONS

Throat Diameter	36 mm (1.4 in)
Nominal Impedance	8 ohm
Minimum Impedance	8 ohm
Program Power	260 W Program power is defined as 3 dB greater than AES Power.
AES Power Rating	130 W Horn loaded test for 2h with continuous, band-limited (800-20000 Hz, 12dB/oct.) pink noise as per AES 2-1984 Rev. 2003
Sensitivity	109 dB Measured on axis at 2.83V, 1m, driver loaded with HD1403 horn, SPL averaged in the frequency range 500 ÷ 20000 Hz.
Frequency Range	500 ÷ 20000 Hz
Voice Coil Diameter	100 mm (3.94 in)
Magnet Material	NEODYMIUM
Coil Material	EDGEWOUND CCA
Former Material	KAPTON
Diaphragm Geometry	DOME
Diaphragm	TITANIUM
Surround Material	POLYIMIDE
Magnet OD	140 mm (5.5 in)
Voice Coil Inductance	0.17 mH
Flux Density	1.9 T
Recommended Crossover	800 Hz High pass filter with slope 12dB/oct. or higher.
Driver Displacement Volume	0.7 l (0.025 ft³)

DIMENSIONS



SHIPPING INFORMATION

Net Weight	2 kg (4.409 lb)
Multipack Quantity	9
Multipack size W x D x H	570 mm x 538 mm x 103 mm (22.4 in x 21.2 in x 4.1 in)
Multipack Weight	20.2 kg (44.53 lb)

